

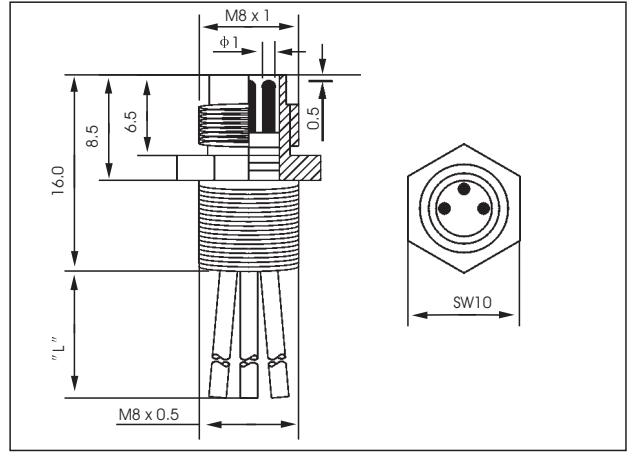
PICO-STYLE QUICK DISCONNECT CABLES

View



- Pico-style receptacle
- Front mounting
- Snap-in/locking device
- With wire ends
- Thread chassis side M8x0.5
- Solder contacts potted with epoxy

Dimensional data



Technical Data

Application Class: HNE acc. to DIN 40040
 (-25 °C / +90 °C / ≤ 75%rF)
 Insert: POM
 Nominal Power: 4A
 Nominal Voltage: 60VAC/75VDC
 Contact: CuZn, pre-nickel and
 0.8 microns gold-plated

Receptacle Housing: Nickel plated brass
 O-Ring: Viton
 Protection: IP 65
 Insulation Group: C acc. to VDE 0110
 Test Voltage: 1.5 KV eff./ 60 s.
 Insulation Resistance: >10⁹ Ω
 CSA certified: 219967

Catalog Number

Part-No	Poles	Face view male	Color code	Conductors		Conductor insulation φ mm(single)
				Guage	Stranding	
C-MS3FZ/0.5/M8	3		1=brown 3=blue 4=black	0.25mm ²	32x φ 0.10	1.4
C-MS4FZ/0.5/M8	4		1=brown 2=white 3=blue 4=black	0.25mm ²	32x φ 0.10	1.4

Standard length: 2.0 m, 3.0 m, 7.5 m, 10.0 m. Other cable length or cable specifications on request.

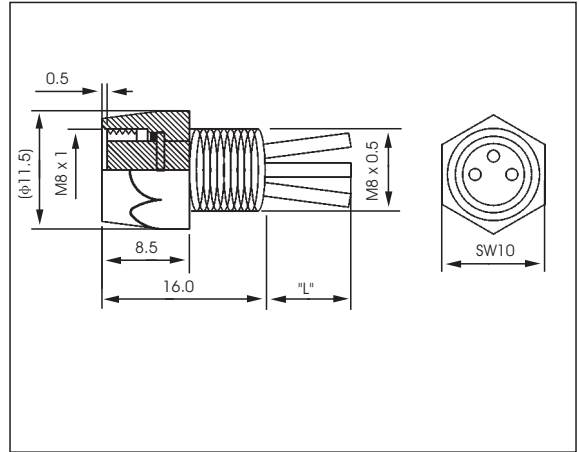
PICO-STYLE QUICK DISCONNECT CABLES

View



- Female Pico-style receptacle
- Front mounting, locking device with wire ends thread chassis side M8x0.5
- Potted with epoxy

Dimensional data



Technical Data

Application Class: HNE acc.to DIN 40040
(-25 °C / +90 °C / ≤ 75%rF)

Insert: POM

Nominal Power: 4A

Nominal Voltage: 60VAC/75VDC

Contact: CuZn, pre-nickeled and
0.8microns gold-plated

Receptacle Housing: Nickel plated brass

O-Ring: Viton

Protection: IP 67

Contact Resistance: 5m Ω

Insulation Group: C acc.to VDE 0110

Test Voltage: 1.5 KV eff./ 60 s.

Insulation Resistance: > 10⁹Ω

CSA certified: 219967

Catalog Number

Part-No	Poles	Face View female	Color Code	Conductors		Conductor insulation φ mm(single)
				Guage	Stranding	
C-FS3FZ/0.5/M8	3		1=brown 3=blue 4=black	0.25mm ²	32x φ 0.10	1.8
C-FS4FZ/0.5/M8	4		1=brown 2=white 3=blue 4=black	0.25mm ²	32x φ 0.10	1.8

Standard length: 2.0 m, 3.0 m, 7.5 m, 10.0 m. Other cable length or cable specifications on request.